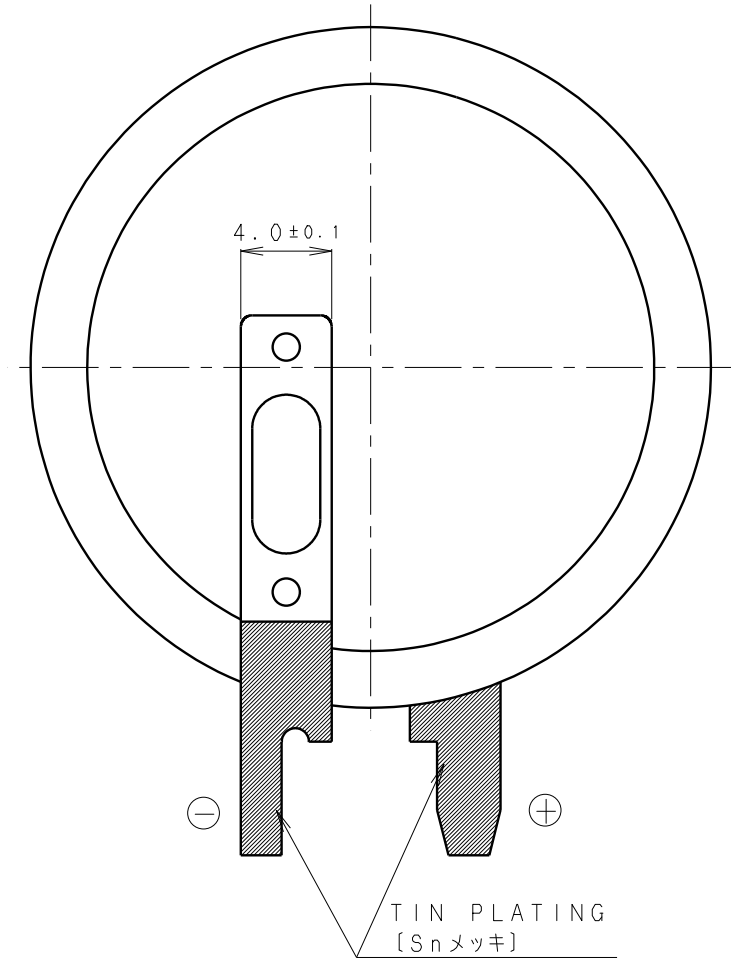
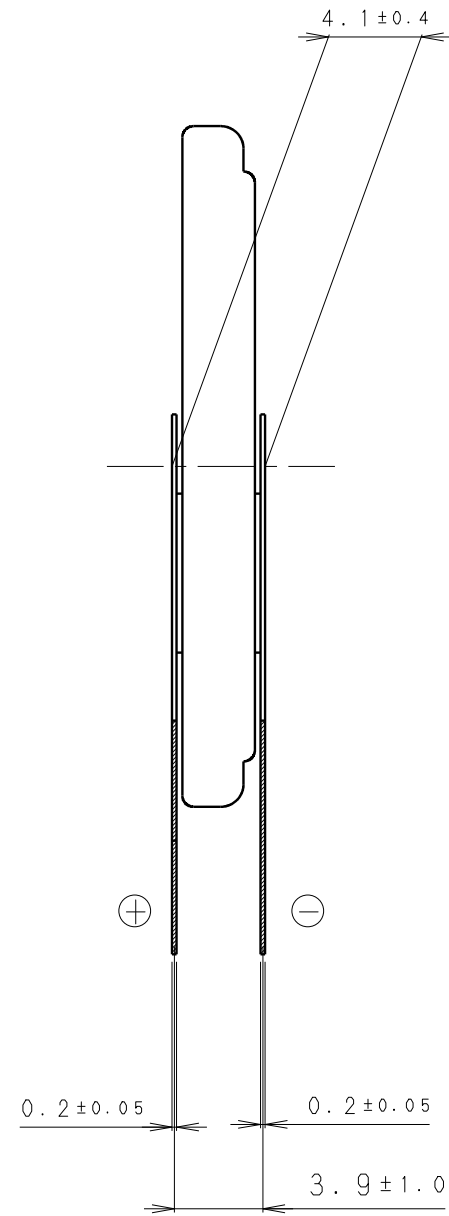
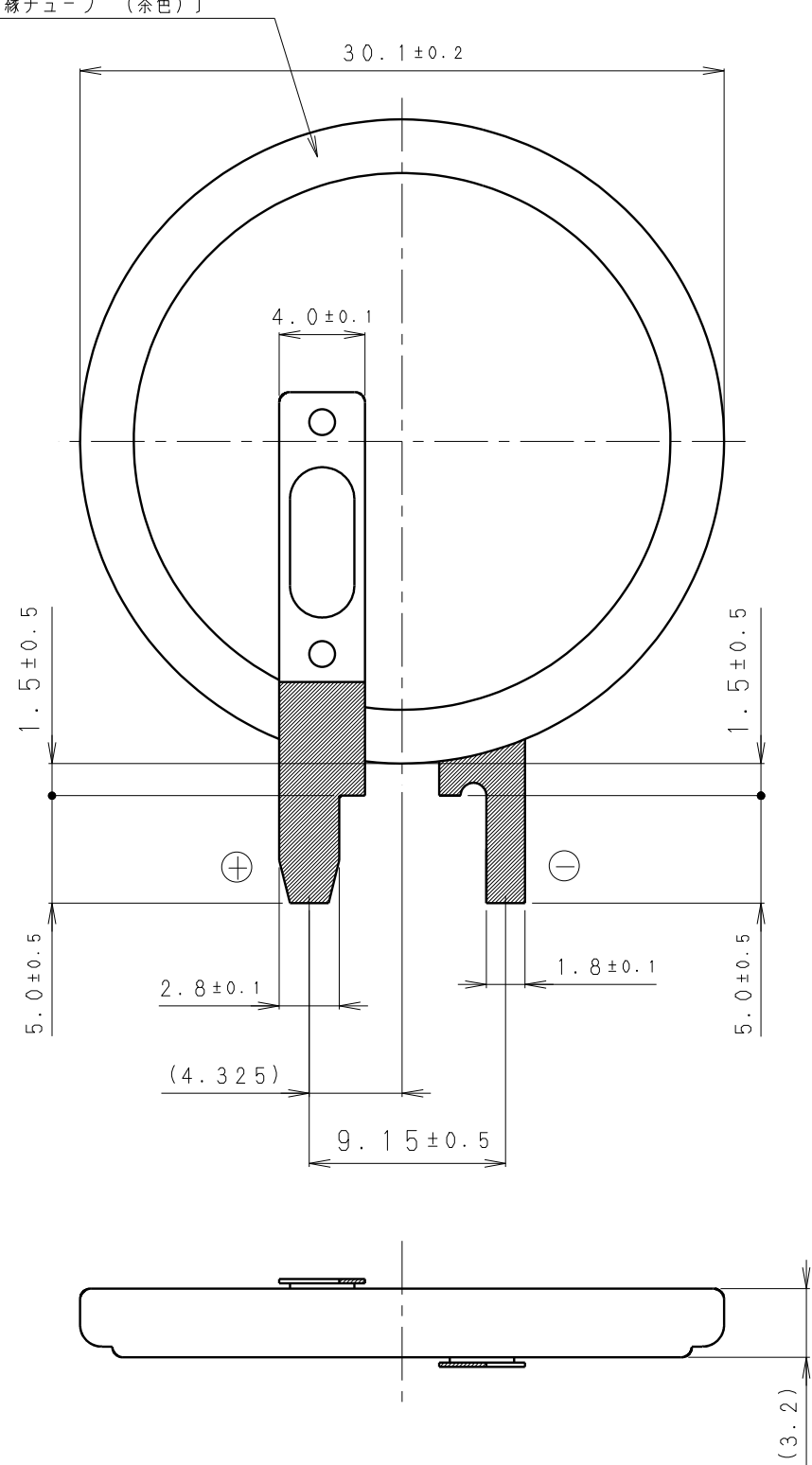


INSULATOR (BROWN)  
 [絶縁チューブ\* (茶色)]



TIN PLATING  
 [Snメッキ]

\* NOTE [注記]

- TAB PULLING STRENGTH OVER 19.6N [端子溶接強度: 19.6N以上]
- TAB MATERIAL: STAINLESS STEEL WITH TIN PLATING [端子材料: 基材 ステンレス/表面 部分Snメッキ]
- ( ): REFERENCE DIMENSION AND ANGLE [ ( ) 寸法、角度は参考値]

PRODUCT NO.	VL-3032/VCN	SCALE	3:1
DRAWING NO.	TMVA1Z	REV.	0
			UNIT: mm