

# UHR-CR34610

## Technical Datasheet



Technical Specifications	
Part No.	U10013, U10014, U10015, U10016
NSN	6135-01-554-3803 (U10014 only)
Voltage Range	1.5 to 3.3V
Average Voltage	3.0V
Nominal Capacity	11.1Ah @ 250mA to 2.0V @ 23°C
Max. Discharge	3.3A continuous
Pulse Capability	Up to 7.0A Varies according to pulse characteristics, temperature, cell history and the application. Consult Ultralife.
PTC	U10014 and U10016 have PTC (re-settable fuse) U10013 and U10015 do NOT
Weight	115g
Operating Temperature	-40°C to 72°C
Storage Temperature	-40°C to 95°C
Exterior/Housing	Hermetic Ni-plated steel can with Mylar sleeve
Terminals/Connector	Flat Ni-plated +/- End Caps: U10013 and U10014 Flat Ni-plated +/- End Caps with Nickel Tabs: U10015 and U10016
Safety	UL component recognized Material Safety Datasheet - MSDS023 Safety Guide UBM-5135
Transportation	Class 9 - U.S. and International (see note)
Note	A complete description of transportation regulations, lithium weights and transportation classifications is available on the Ultralife website.

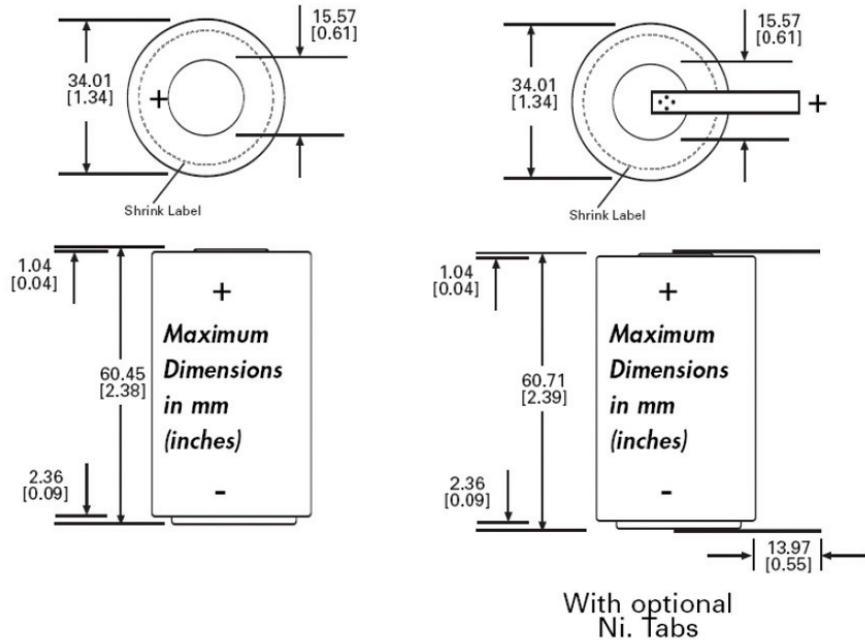
### Features

- High energy density
- No voltage delay
- Wide operating temperature range
- Lightweight
- Up to 10-year shelf life
- Long operating life
- Cell is hermetically sealed Ni-plated steel can

### Applications

- Consumer telematics
- Commercial telematics
- Search & rescue devices
- Military communications, detectors & imaging
- Medical devices

# Dimensions



# Performance Graphs

