

# BA-5372/U

## Technical Datasheet



Technical Specifications	
Part No.	UB1733
NSN	6135-01-214-6441
Voltage Range	4.0 to 6.6V
Average Voltage	6.0V
Nominal Capacity	500mAh @ 4.5mA to 4.0V @ 23°C
Max. Discharge	160mA continuous
Pulse Capability	Up to 300mA Varies according to pulse characteristics, temperature, cell history and the application. Consult Ultralife.
Weight	20.0g
Operating Temperature	-40°C to 72°C
Storage Temperature	-40°C to 95°C
Exterior/Housing	Mylar Sleeve
Terminals/Connector	Nickel plated contacts
Safety	Material Safety Datasheet - MSDS023 Safety Guide UBM-5135
Transportation	Excepted from regulations for packages with gross mass of 2.5kg or less (see note)
Export License	ITAR (International Traffic in Arms Regulations) export license required to export from U.S.
Harmonized Tariff Code	8506.50.0000
Note	A complete description of transportation regulations, lithium weights and transportation classifications is available on the Ultralife website.

### Features

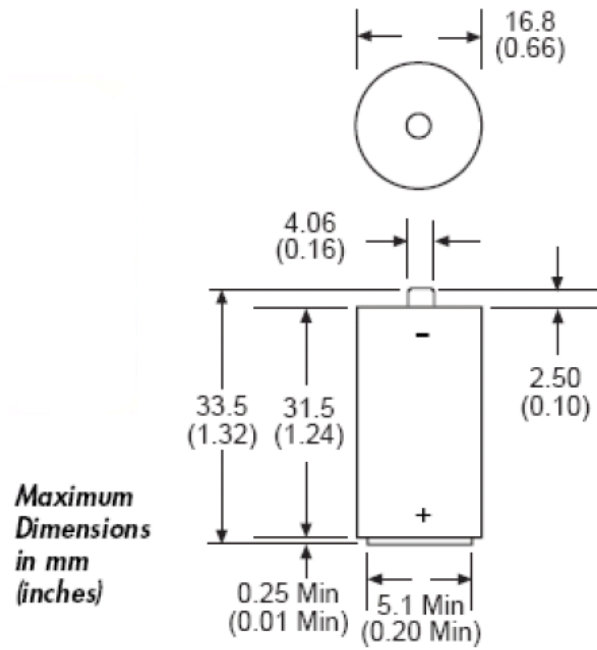
- High energy density
- No voltage delay
- Wide operating temperature range
- Lightweight
- Up to 10-year shelf life
- Long operating life
- Cells are hermetically sealed Ni-plated steel cans

### Applications

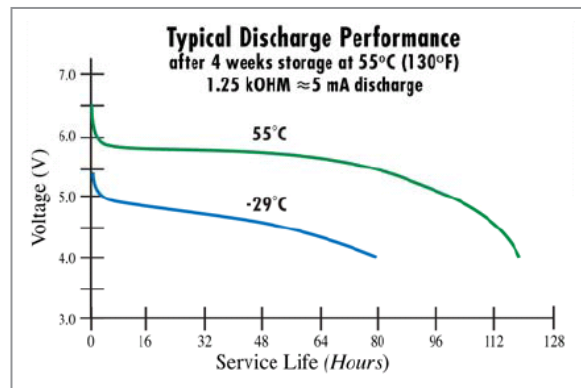
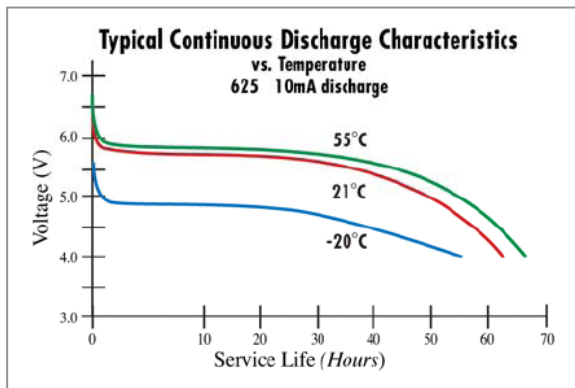
- Consumer telematics
- Commercial telematics
- Search & rescue devices
- Military Communications, detectors and imaging
- Medical devices

**For use only in approved military devices. Not for use in flashlights.**

# Dimensions



# Performance Graphs



# Mouser Electronics

Authorized Distributor

Click to View Pricing, Inventory, Delivery & Lifecycle Information:

[Ultralife:](#)

[UB1733](#)