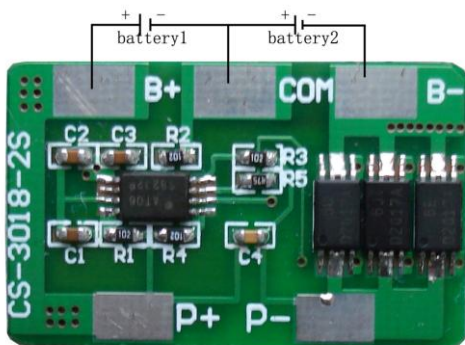


# Protection Circuit Module

For 7.4V Li-ion/Li-polymer Battery Pack

PCM-Li02S9-086 (2S)

No.	Test item	Criterion	
1	Voltage	Charging voltage	DC:8.4V CC/CV
		Balance voltage for single cell	
2	Current	Balance current for single cell	
		Current consumption for single cell	Max:20μA
		Maximal continuous discharging current	8A
3	Overcharge Protection	Over charge detection voltage	4.35 V±0.025V
		Over charge detection delay time	0.73S~1.35S
		Over charge release voltage	4.15±0.05V
4	Over-discharge Protection	Over discharge detection voltage	2.30±0.08V
		Over discharge detection delay time	66~138mS
		Over discharge release voltage	3.0±0.1V
5	Over Current Protection	Over current detection voltage	300±15mv
		Over current detection current	25±5A
		Detection delay time	7.2ms~11ms
		Release condition	Automatic Recovery
6	Short Protection	Detection condition	Exterior short circuit
		Detection delay time	200-500us
		Release condition	Automatic Recovery
7	Resistance	Protection circuitry	≤50mΩ
8	Temperature	Operating temperature range	-40~+85℃
		Storage temperature range	-40~+125℃
9	Size		L30*18mm



Remarks:

\* Characteristics subject to change without notice.