

LM26500-M

Primary Li-MnO₂ cell

3 V lithium manganese dioxide C-size spiral cell

The LM26500-M cell is approved for use in the MIDS-LVT. All three cells must be replaced at the same time. Do not mix SAFT LM26500-M cells with other manufacturer's cells.



Benefits

- High drain/ high pulse capability
- High voltage response, stable during most of the lifetime of the application even after long dormant periods
- High capacity at high current and low temperature
- Low self-discharge compatible with long operating life (less than 1% after 1 year of storage at +20°C)
- Superior resistance to corrosion
- Low magnetic signature

Key Features

- Spiral construction
- Hermetic construction with glass to metal seal
- Stainless steel container
- Integrated safety vent
- Equipped with 4.5A resettable PTC
- Safety Shutdown Separator
- Sleeve – Mylar for durability
- Non-corrosive electrolyte
- Non-pressurized at room temperature
- Restricted for transport (Class 9)
- RoHS and REACH compliant
- Made in USA

Designed to meet all major quality, safety and environment standards

- Safety: UL 1642 and IEC 60086-4
- Transport: UN 3090 and UN 3091
- Quality: ISO 9001, Saft World Class Continuous program

Applications

- Military, MIDS-LVT⁵

NSN

- NSN: 6135-01-545-6582

Electrical characteristics

(Typical values relative to cells stored for one year or less at +30°C max)

Nominal Capacity (at 150mA +20°C 2.0V cut-off) ¹	7.4 Ah
Open circuit voltage (at +20°C)	3.2 V
Nominal voltage (under 1mA at +20°C)	3.0 V
Nominal energy (at 150mA +20°C 2.0 V cut-off)	20.9 Wh
Pulse capability ²	Up to 4.0 A
Recommended maximum continuous current	2.0 A

Operating conditions

Operating Temperature Range ³	-40°C to +85°C
Storage temperatures	
Recommended	+30°C (86°F) max
Allowable ⁴	-55°C to +90°C

Physical Characteristics

Diameter (max)	26.0 mm
Height (max)	53.5 mm
Typical weight	61 g
Li metal content	approx. 2.8 g

Terminations

Flat Ni - Plated

¹ Dependent upon current drain, temperature and cut-off

² Dependent upon pulse characteristics, temperature, cell history and application. Higher rates are available under certain circumstances.

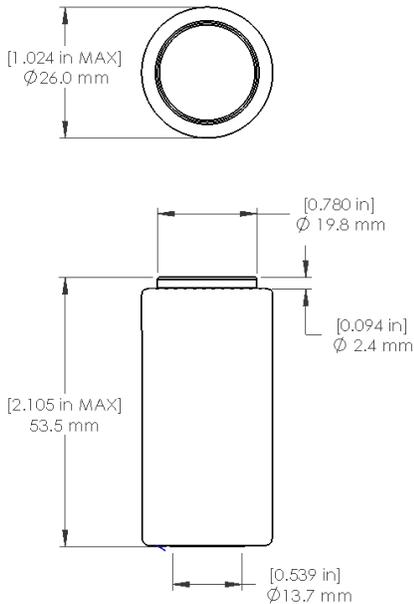
³ To maintain cell heating within safe limits, Battery packs may imply lower level of maximum current and may require specific thermal protection. Consult Saft.

⁴ Long time storage at high temperature may affect performances. Consult Saft.

⁵ Export License: ECCN 3A611.x export license required to export from the United States.

LM26500-M

LM26500-M dimensions



Storage

- The storage area should be clean, cool (preferably not exceeding +30°C), dry and ventilated.

Warning

- Fire, explosion and burn hazard.
- Do not recharge, short circuit, crush, disassemble, heat above 85°C, incinerate, or expose contents to water.
- Do not solder directly to the cell
- Do not mix Saft LM26500-M cells with other manufacturer's cells.
- All three cells must be replaced at the same time.

Saft

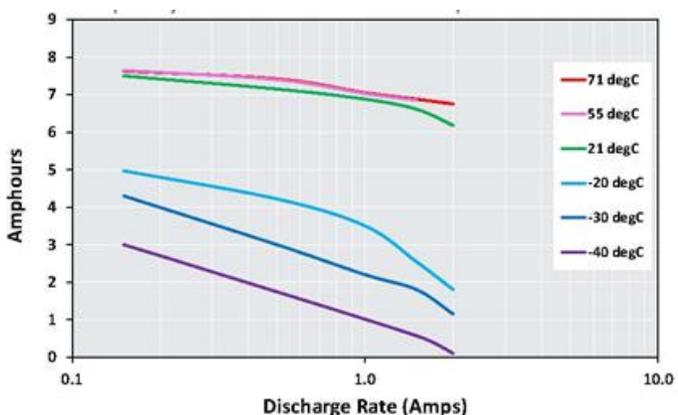
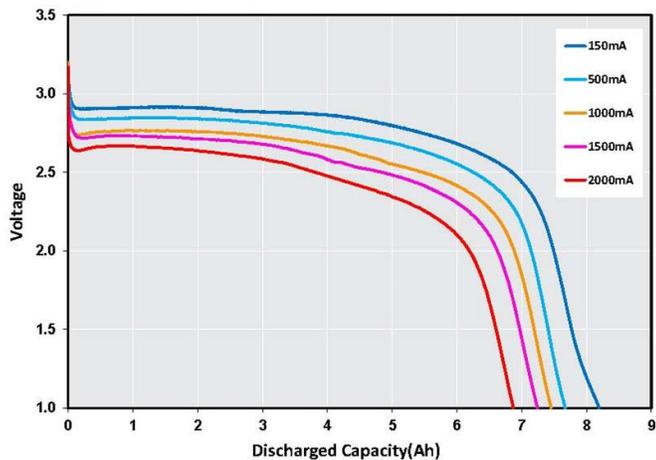
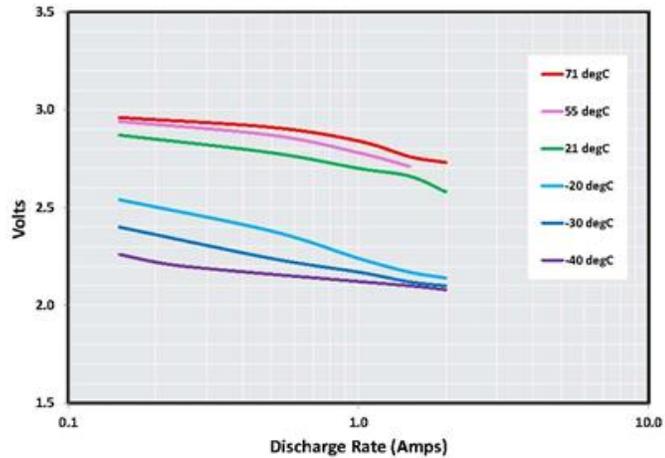
12, rue Sadi Carnot
93170 Bagnole - France
Tel.: +33 (0)1 49 93 19 18
Fax: +33 (0)1 49 93 19 69

Saft America, Inc.

313 Crescent St.
Valdese, NC 28690 - USA
Tel.: +1 (828) 874 4111
Fax: +1 (828) 874 2431

www.saftbatteries.com

Voltage plateau vs. rate at various temperatures at mid-discharge



Doc. N°: 31175-2-0219

Edition: February 2019

Data in this document is subject to change without Notice and becomes contractual only after written confirmation by Saft.

Published by the Communications Department

Photo credit: Saft

saft
a company of
TOTAL