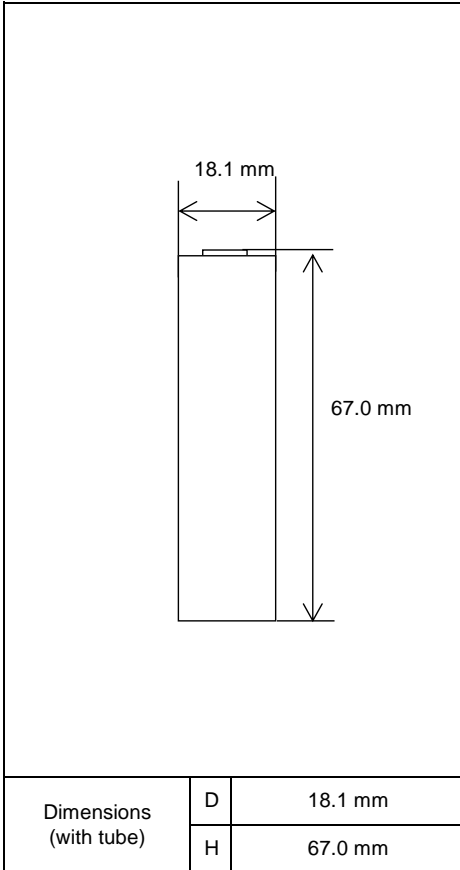


Specifications

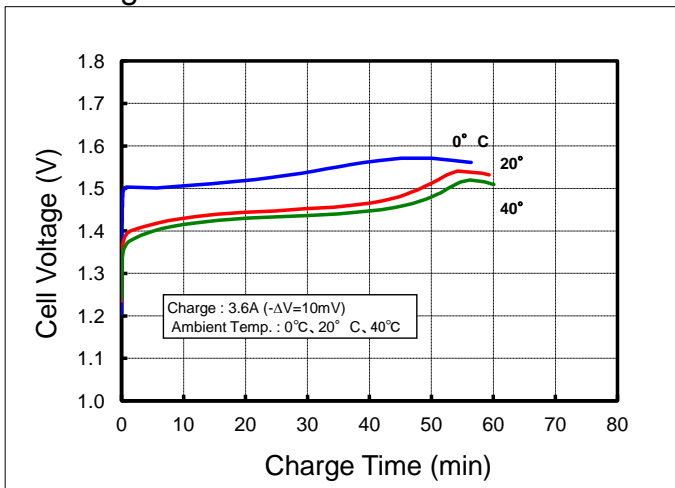


Type : Nickel-Metal Hydride Battery		Size : 4/3FA
Capacity ¹⁾	Typical	3600mAh
	Minimum	3400mAh
Nominal Voltage		1.2V
Charging Current x Time	Fast Charge ²⁾	3600 mA x about 1.1h
Ambient Temp.	Charge Condition	Fast Charge ²⁾
	Discharge Condition	
	Storage Condition	
	Less than 30days	-20°C - 50°C
	Less than 90days	-20°C - 40°C
	Less than 1year	-20°C - 30°C
Internal Impedance ³⁾ (after discharge to E.V.=1.0V)		Approx. 7 mΩ(at 1000Hz)
Weight ⁴⁾		Approx. 59 g
Size ⁴⁾ : (Diameter) x (Height)		18.1(D) x 67.0(H) mm

- 1) Single cell capacity under the following condition.
Charge : 360mA x 16h, Discharge : 720mA (E.V.=1.0V) at 20°C
- 2) Use recommended charging system.
- 3) After a few charge and discharge cycles under the above 1) condition.
- 4) With tube.

Typical Characteristics

Charge



Discharge

