



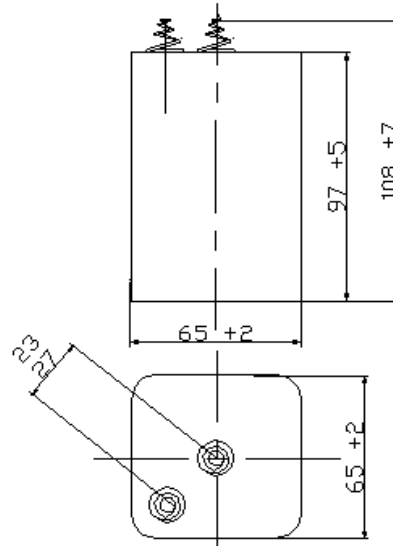
Hi-Watt Battery Ind.Co., Ltd.

Product Specification

Zinc Chloride Battery (No Added Mercury or Cadmium)
Super Heavy Duty

Model	IEC	ANSI	JIS	NEDA
E 4R25X	4R25	908		908

Nominal Voltage	6.0V
Rated Capacity 110 Ω to 3.6 V	8750 mAh
Average weight	590 g
Terminals	Sping
Jacket	Plastic
OCV	6.4V
CCV 8.2 Ω 1 sec	5.7V
Shelf Life Temp 20 \pm 2 $^{\circ}$ C Humidity 45-75%	30 months



Minimum Average Discharge Performance	Service Life
9.1 Ω 0.5 H/H, 8H/D 3.6 V	660M
8.2 Ω 0.5 H/day 3.6 V	620M
110 Ω 12 H/day 3.6 V	200H
After 12 months storage	90%

