



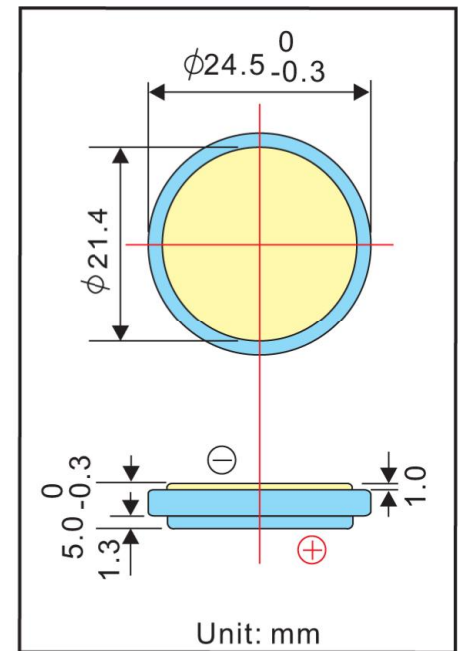
# CR2450 *Brief Datasheet*

## Lithium Manganese Dioxide Coin Batteries

### 1 BASIC SPECIFICATION

|  |         |
|--|---------|
| Nominal Voltage(V)   | 3.0     |
| Nominal Capacity(mAh)  | 550     |
| Continuous discharge with 7.5k $\Omega$ to 2.0V cut-off, +23°C | 550     |
| Continuous standard load (k $\Omega$ )                         | 7.5     |
| Operating temperature (°C)                                     | -20~+70 |
| Weight (g)   | 6.2     |

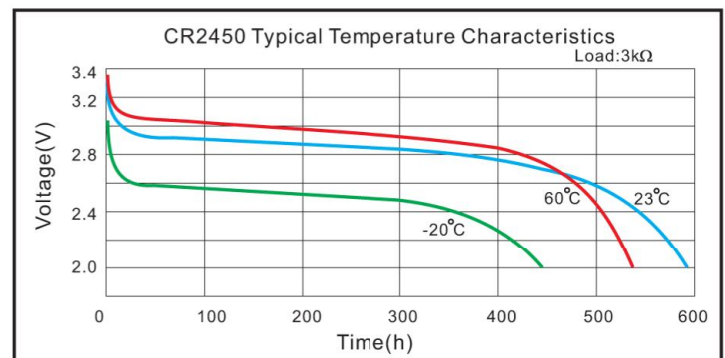
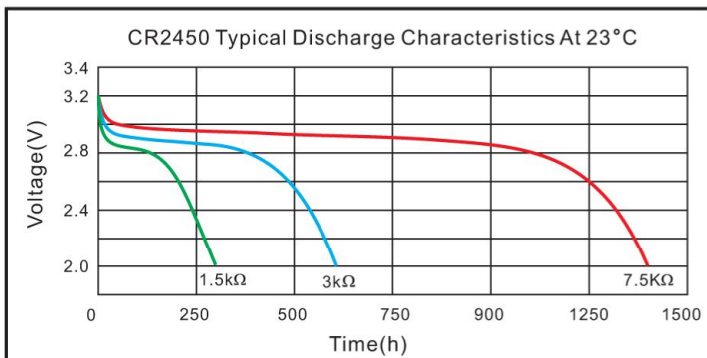
Note: Typical values relative to cells stored for three months at 23°C.



### 2 MAIN FEATURES

- ◆ Light Weight, High Voltage and High Energy Density.
- ◆ Excellent Stable Discharge Characteristics and outstanding Temperature Characteristics.
- ◆ Excellent Leakage Resistance and Excellent Long-term Reliability.

### 3 ELECTRICAL CHARACTERISTICS



### 4 WARNING!

- ◆ Do not recharge, short-circuit, disassemble, deform, heat or place the battery near a direct flame. Any of the above actions could cause it to ignite explode or become damaged.
- ◆ Keep this battery out of the reach of children.
- ◆ When storing the battery or throwing it away, be sure to cover it with tape.

**Li-MnO<sub>2</sub>**

Note: Any representations in this brochure concerning performance, are for informational purposes only and are not construed as warranties either expressed or implied, of future performance.