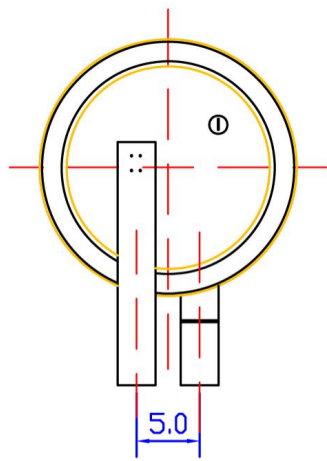
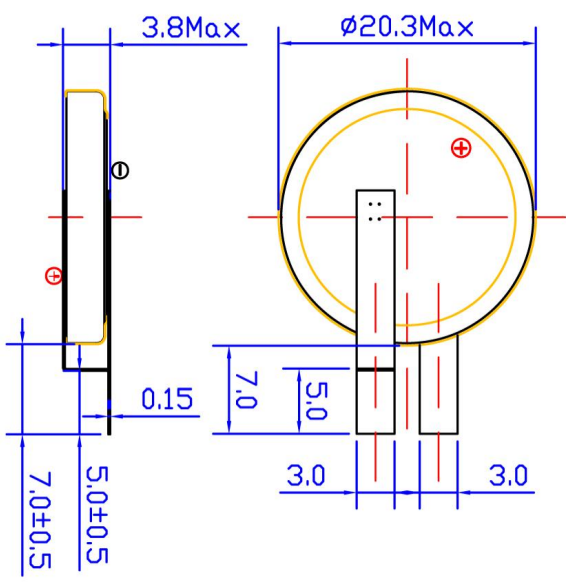
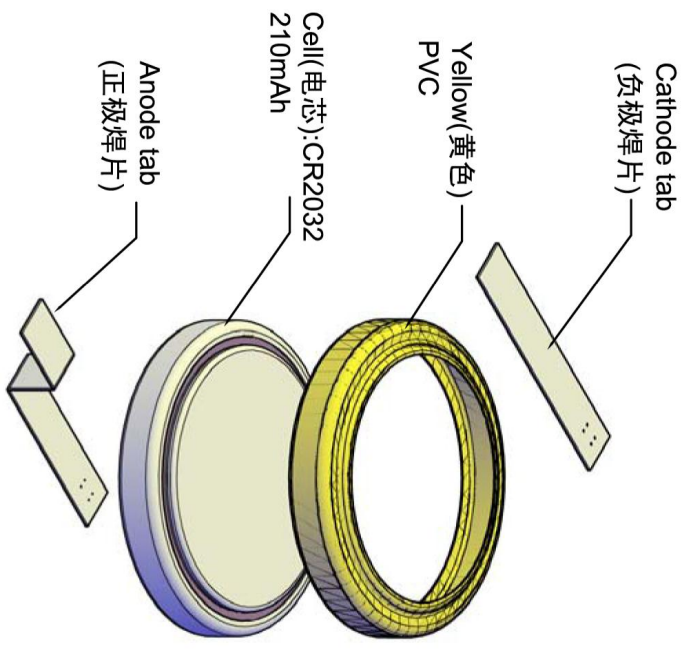


(Scale: 2 : 1)



4	ROHS Compliant / 严格按照ROHS要求生产	Drawn: Moyongdi		Revise No.:	E4-2009
3	Cathode tab / 负极焊片	Checked 1: Anky		Projection:	
2	Anode tab / 正极焊片	Checked 2: Keyan		Page:	1/1
1	Cell / 电芯	Title: CR2032-PJY2	Approved:	Scale:	1.5: 1
NO.	Parts	Description	File NO. A04200	Draw Date: 2011/01/18	Unit: mm