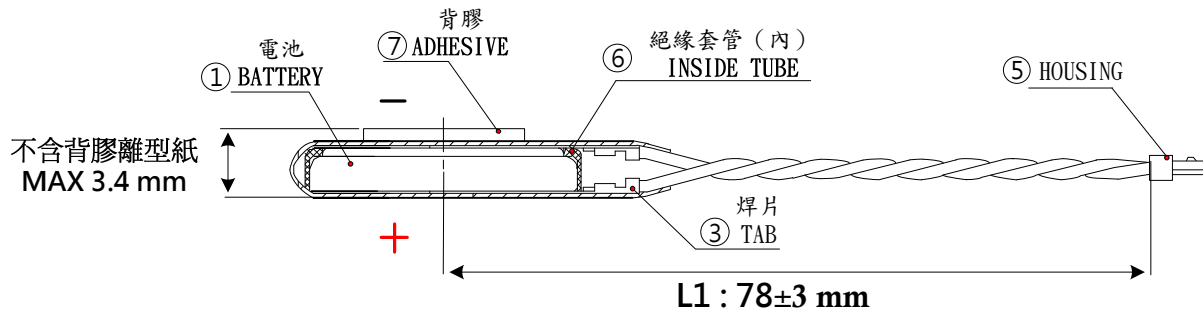


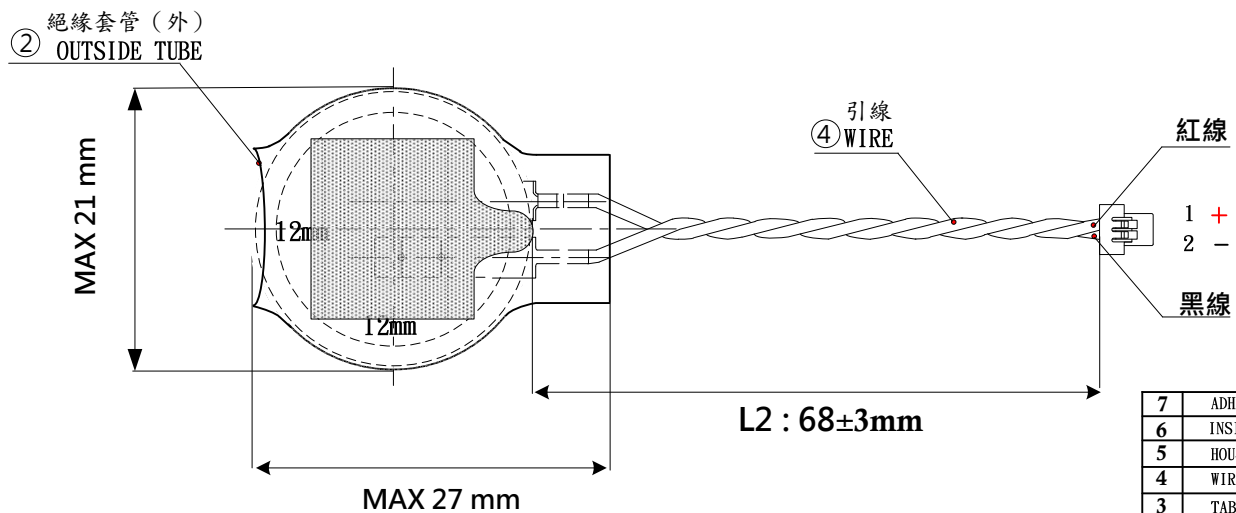
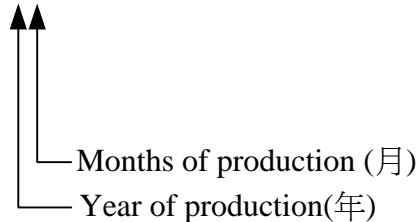


版別	修正內容	日期	確認
01	NEW	2017/01/25	
02	L2 size from 80 to 68 mm	2017/02/14	



正極面印字標示

DBV
XX CR2025 3.0V



ITEM	DESCRIPTION	MATERIAL	Q,TY	REMARK
7	ADHESIVE	3M 9888T	1	12mm*12mm*0.15mm, 帶小耳朵
6	INSIDE TUBE	PET	1	PET031409U*G.5
5	HOUSING	JCTC 11256H00-2P	1	ACES 50285-002H0H1-001(相容品)
4	WIRE	3302#28AWG	2	BLACK (+) 1, BLACK (-)2, UL764 Wiring Harness
3	TAB	SUS430	2	RIVET JOINT T=0.1
2	OUTSIDE TUBE	PET	1	PET023307U*30
1	BATTERY	CR2025	1	"DBV", U≥3.2V

ITEM	(SIZE)mm	MODEL:	BATTERY WITH WIRE	Underwriters Laboratories Inc. BBCV2.MH46388
L1	78±3	CR2025		
L2	68±3			
H	不含背膠離型紙 3.4	UNIT:mm	SCALE	BCR2025W6.8AERG27P3B-D
D	MAX 21			
E	MAX 28	VER: 01		

DBV 廣立登股份有限公司
Double Best Corporation Limited

核准 APPROVED BY	繪圖 DRAWN BY <i>Johnny Wang</i>	日期 DATE
設計 DESIGNED BY	核對 CHECKED BY	比例 SCALE

DESCRIPTION: **CR2025 Battery with wire**

圖號	BL-CR2025-025
B&E No.	CR2025H4.5AA5Y1B