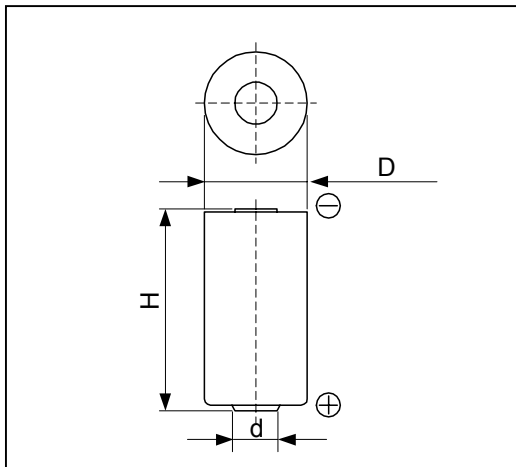


# Cell Type CR17335SE Specifications



Nominal Capacity* <sup>1</sup>		1800mAh
Nominal Voltage		3V
Standard Discharge Current		1.0mA
Max. Discharge Current	Continuous* <sup>2</sup>	8mA
	Pulse* <sup>3</sup>	100mA
Temperature Range		-40°C ~ 85°C
Weight		17g
Dimensions	D	17.0mm
	H	33.5mm
	d	7mm

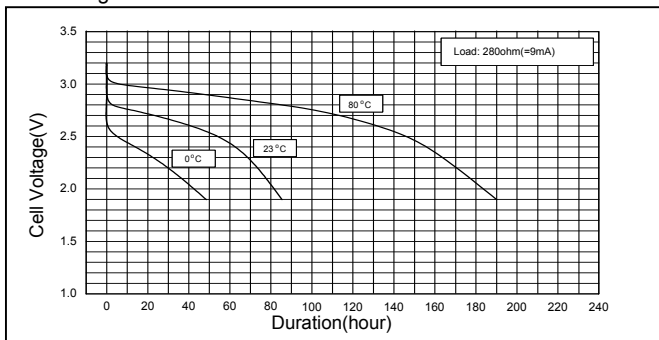
\*1 Nominal capacity is determined to an end voltage of 2.0V when the battery is allowed to discharge at a standard current level at 23°C.

\*2 Current value is determined to be the level at which 50% of the nominal capacity is obtained with an end voltage of 2.0V at 23°C.

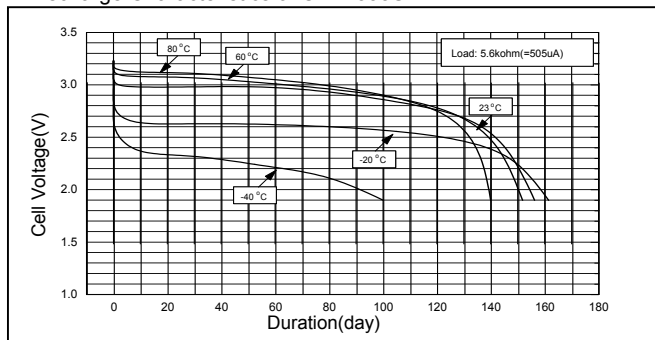
\*3 Current value for obtaining 2.0V cell voltage when pulse is applied for 15seconds at 50% discharge depth at 23°C.

## Typical Characteristics

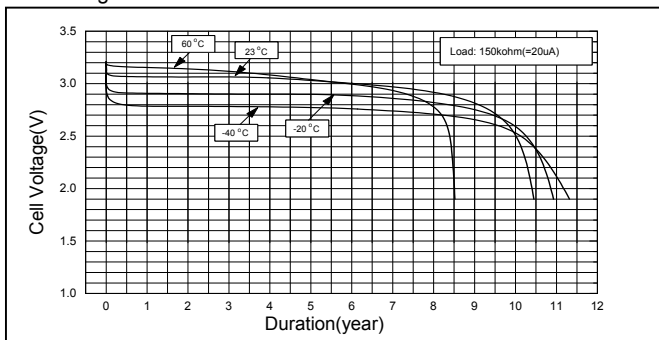
### Discharge Characteristics of CR17335SE



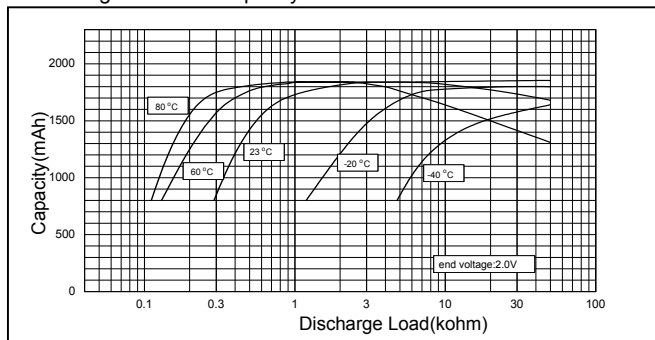
### Discharge Characteristics of CR17335SE



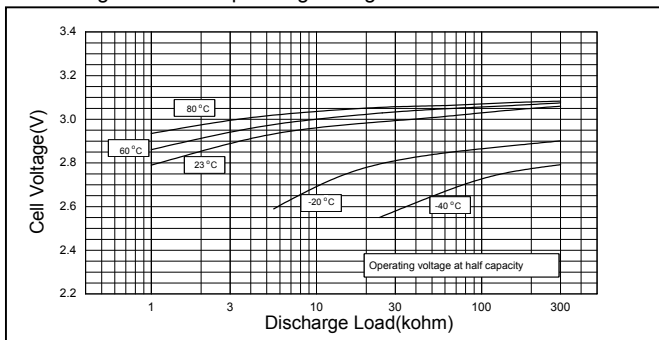
### Discharge Characteristics of CR17335SE



### Discharge Load vs. Capacity of CR17335SE



### Discharge Load vs. Operating Voltage of CR17335SE



### Discharge Characteristics of CR17335SE

