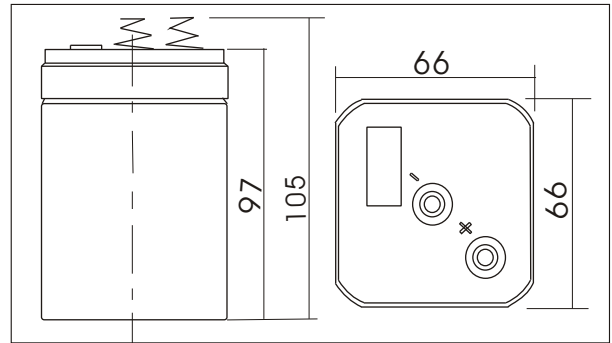


BL650(6V5.0AH)



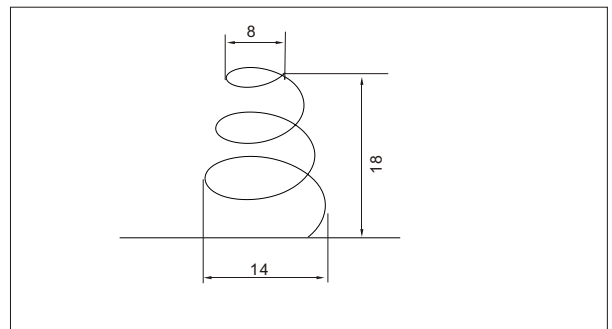
Outer dimensions (mm)



Specifications

Nominal Voltage		6 V
Rated capacity (20 hour rate)		5.0 Ah
Dimensions	Total Height	114mm(4.50inches)
	Height	96 mm(3.78inches)
	Length	67 mm(2.60inches)
	Width	67 mm(2.60 inches)
Weight Approx		0.85 Kg(1.87lbs)

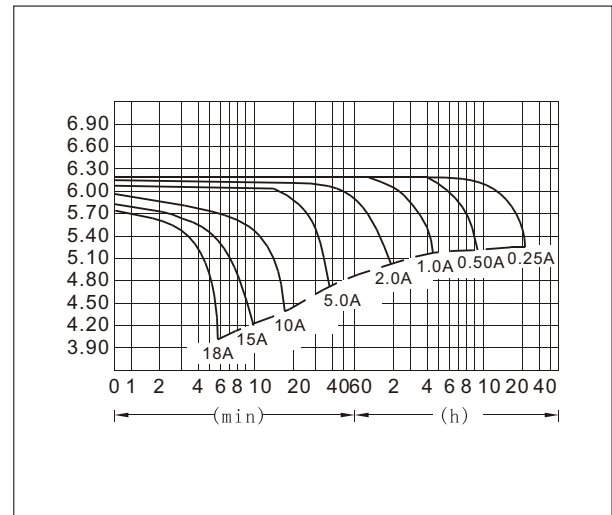
Terminal Type (mm)



Characteristics

Capacity 25°C(77°F)	20 hour rate(0.25A)	5.00 AH
	10 hour rate(0.46A)	4.60 AH
	5 hour rate(0.85A)	4.25 AH
	1 hour rate(3.00A)	3.00 AH
	1.5 hour discharge to 5.25 V	2.0 A
Internal Resistance	Full charged Battery at 25°C(77°F)	25mΩ
Capacity affected by Temperature (20hour rate)	40°C(104°F)	102%
	25°C(77°F)	100%
	0°C(32°F)	85%
	-15°C(5°F)	65%
	Self-Discharge at 25°C(77°F)	Capacity after 3 month storage
	Capacity after 6 month storage	82%
	Capacity after 12 month storage	64%
Terminal		SPRING T38
Charge (constant Voltage)	Cycle	Initial Charging Current less than 1.25A Voltage 7.20-7.35V
	Float	Voltage 6.75-6.90V

Discharge Curves 25°C(77°F)



Constant Current(Amp) and Constant Power(Watt) Discharge Table at 25°C(77°F)

Time		5min	10min	15min	30min	1h	2h	3h	4h	5h	8h	10h	20h
4.80V	A	18.0	11.8	8.8	5.8	3.0	1.75	1.29	1.03	0.88	0.58	0.47	0.26
	W	93	63	47	30.9	16.3	9.6	7.17	5.81	4.99	3.32	2.73	1.50
5.10V	A	16.5	11.3	8.0	5.5	2.8	1.68	1.25	1.00	0.86	0.57	0.46	0.25
	W	89	63	45	30.6	15.9	9.7	7.24	5.81	5.01	3.32	2.73	1.48
5.25V	A	15.0	10.6	7.5	5.3	2.7	1.65	1.23	0.95	0.86	0.56	0.46	0.25
	W	83	60	43	30.4	15.7	9.5	7.16	5.56	4.98	3.31	2.72	1.48
5.40V	A	14.4	10.1	7.0	5.1	2.6	1.60	1.21	0.93	0.81	0.55	0.45	0.24
	W	81	58	40	29.8	15.3	9.4	7.13	5.51	4.80	3.25	2.67	1.45
5.55V	A	13.4	9.5	6.5	5.0	2.5	1.56	1.15	0.92	0.78	0.53	0.44	0.24
	W	76	55	38	29.3	14.9	9.2	6.80	5.46	4.64	3.20	2.65	1.44