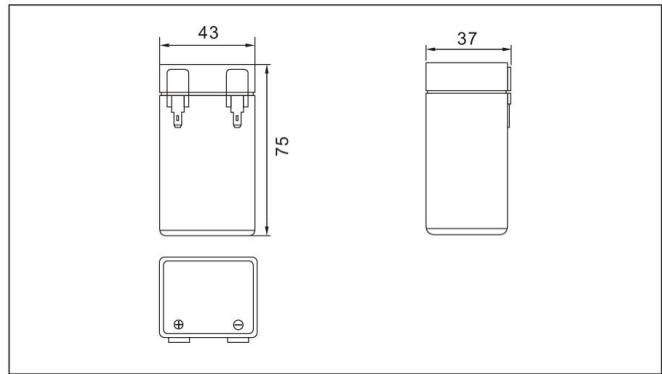


(6V2.3AH)



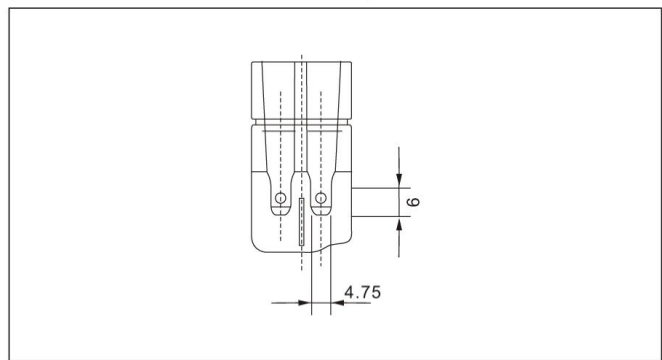
● Outer dimensions (mm)



● Specifications

Nominal Voltage		6 V
Rated capacity (20 hour rate)		2.3 Ah
Dimensions	Total Height	75 mm(2.95inches)
	Height	75 mm(2.95 inches)
	Length	43 mm(1.69 inches)
	Width	37 mm(1.46 inches)
Weight Approx		0.35 Kg (0.77lbs)

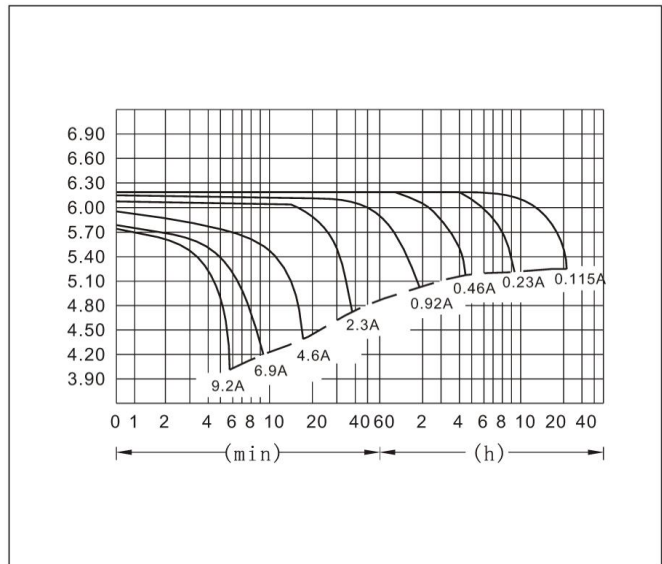
● Terminal Type (mm)



● Characteristics

Capacity 25°C(77°F)	20 hour rate(0.115A)	2.30 AH
	10 hour rate(0.21A)	2.10 AH
	5 hour rate(0.39A)	1.95 AH
	1 hour rate(1.38A)	1.38 AH
	1.5 hour discharge to 5.25 V	0.92 A
Internal Resistance	Full charged Battery at 25°C(77°F)	45 mΩ
Capacity affected by Temperature (20hour rate)	40°C(104°F)	102%
	25°C(77°F)	100%
	0°C(32°F)	85%
	-15°C(5°F)	65%
Self-Discharge at 25°C(77°F)	Capacity after 3 month storage	91%
	Capacity after 6 month storage	82%
	Capacity after 12 month storage	64%
Terminal		T27
Charge (constant Voltage)	Cycle	Initial Charging Current less than 0.92A Voltage 7.05-7.20V
	Float	Voltage 6.75-6.90V

● Discharge Curves 25°C(77°F)



Constant Current(Amp) and Constant Power(Watt) Discharge Table at 25°C(77°F)

Time		5min	10min	15min	30min	1h	2h	3h	4h	5h	8h	10h	20h
4.80V	A	9.2	6.2	4.4	2.6	1.38	0.81	0.59	0.48	0.40	0.27	0.22	0.117
	W	49	33	23	14	8.0	4.7	3.4	2.8	2.3	1.5	1.3	0.69
5.10V	A	8.3	5.7	3.9	2.5	1.30	0.77	0.58	0.46	0.40	0.26	0.22	0.117
	W	46	31	22	14	7.5	4.5	3.3	2.7	2.3	1.5	1.2	0.67
5.25V	A	7.8	5.4	3.7	2.4	1.25	0.76	0.57	0.44	0.39	0.26	0.21	0.115
	W	44	30	21	14	7.3	4.4	3.3	2.5	2.3	1.5	1.2	0.67
5.40V	A	7.3	5.1	3.5	2.4	1.21	0.74	0.56	0.43	0.37	0.25	0.21	0.113
	W	42	30	20	14	7.0	4.3	3.2	2.5	2.2	1.4	1.2	0.65
5.55V	A	6.9	4.8	3.2	2.3	1.17	0.72	0.53	0.42	0.36	0.25	0.20	0.113
	W	41	29	19	14	6.9	4.3	3.1	2.5	2.1	1.4	1.2	0.65