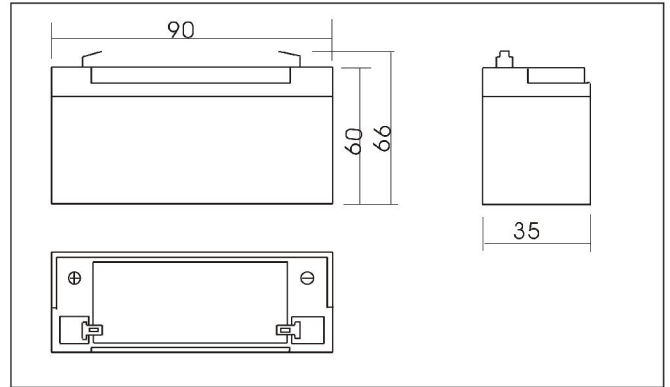


(4V3.5AH)



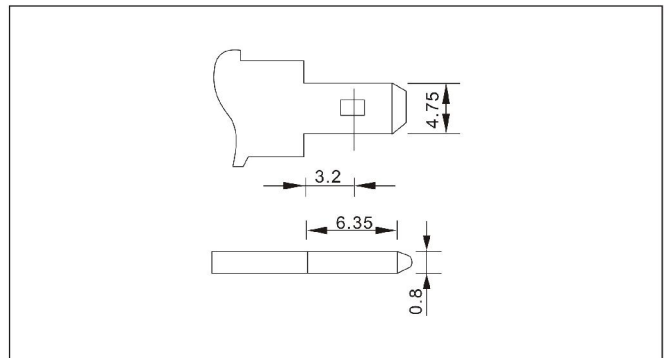
● Outer dimensions (mm)



● Specifications

Nominal Voltage		4 V
Rated capacity (20 hour rate)		3.5 Ah
Dimensions	Total Height	66 mm(2.60inches)
	Height	60 mm(2.36inches)
	Length	90mm(3.54inches)
	Width	35mm(1.38inches)
Weight Approx		0.45 Kg(0.99lbs)

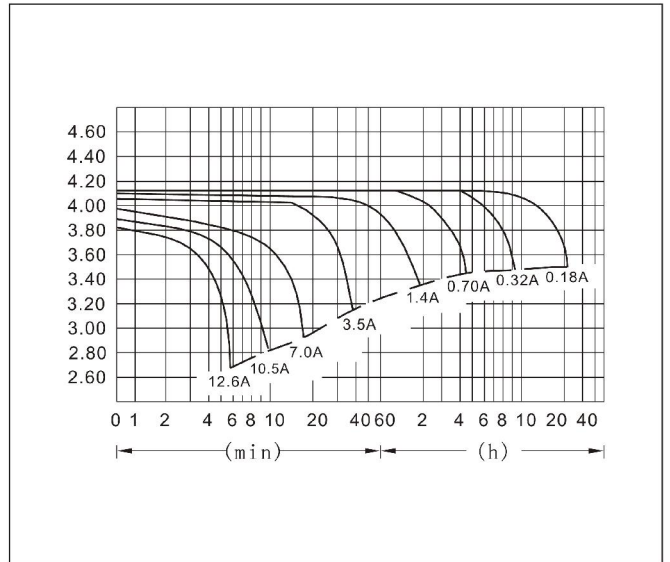
● Terminal Type (mm)



● Characteristics

Capacity 25°C(77°F)	20 hour rate(175mA)	3.50 AH
	10 hour rate(0.32A)	3.20AH
	5 hour rate(0.60A)	3.00AH
	1 hour rate(2.10A)	2.10 AH
	1.5 hour discharge to 3.50 V	1.26 A
Internal Resistance	Full charged Battery at 25°C(77°F)	14 mΩ
Capacity affected by Temperature (20hour rate)	40°C(104°F)	102%
	25°C(77°F)	100%
	0°C(32°F)	85%
	-15°C(5°F)	65%
Self-Discharge at 25°C(77°F)	Capacity after 3 month storage	91%
	Capacity after 6 month storage	82%
	Capacity after 12 month storage	64%
Terminal		T0
Charge (constant Voltage)	Cycle	Initial Charging Current less than 1.4A Voltage 4.40-5.00 V
	Float	Voltage 4.50-4.60 V

● Discharge Curves 25°C(77°F)



Constant Current(Amp) and Constant Power(Watt) Discharge Table at 25°C(77°F)

Time		5min	10min	15min	30min	1h	2h	3h	4h	5h	8h	10h	20h
3.20V	A	12.6	8.3	6.13	4.03	2.10	1.23	0.90	0.72	0.61	0.41	0.33	0.18
	W	43.6	29.6	21.9	14.4	7.56	4.48	3.34	2.71	2.33	1.55	1.27	0.70
3.40V	A	11.6	7.9	5.63	3.82	1.97	1.18	0.88	0.70	0.60	0.40	0.33	0.18
	W	41.3	29.5	21.0	14.3	7.43	4.52	3.38	2.71	2.34	1.55	1.27	0.69
3.50V	A	10.5	7.39	5.25	3.70	1.91	1.15	0.86	0.67	0.60	0.39	0.32	0.18
	W	38.5	28.0	20.0	14.2	7.36	4.45	3.34	2.59	2.34	1.54	1.27	0.69
3.60V	A	10.1	7.06	4.90	3.60	1.84	1.12	0.85	0.65	0.57	0.38	0.31	0.17
	W	37.8	27.1	18.8	13.9	7.15	4.38	3.32	2.57	2.24	1.51	1.24	0.68
3.70V	A	9.3	6.65	4.55	3.50	1.78	1.09	0.80	0.64	0.54	0.37	0.31	0.17
	W	35.3	25.7	17.7	13.7	6.97	4.31	3.18	2.55	2.16	1.49	1.23	0.67