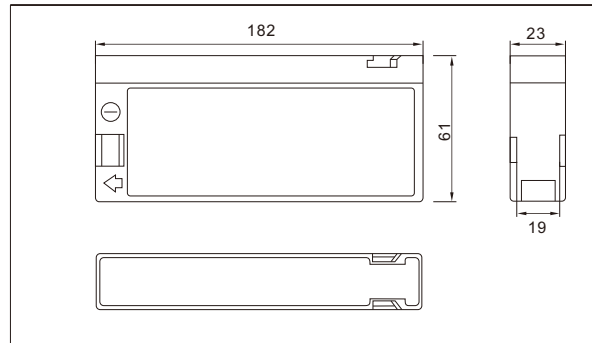


BL1223 (12V 2.3 AH)



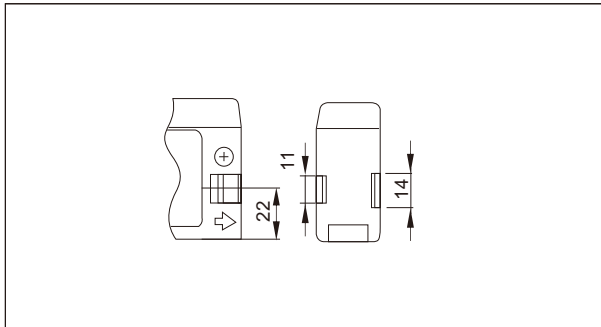
Outer dimensions (mm)



Specifications

| | | |
|-------------------------------|--------------|----------------------|
| Nominal Voltage | | 12V |
| Rated capacity (20 hour rate) | | 2.3 Ah |
| Dimensions | Total Height | 61 mm (2.40 inches) |
| | Height | 61 mm (2.40 inches) |
| | Length | 182 mm (7.17 inches) |
| | Width | 24 mm (0.94 inches) |
| Weight Approx | | 0.67 Kg (1.48 lbs) |

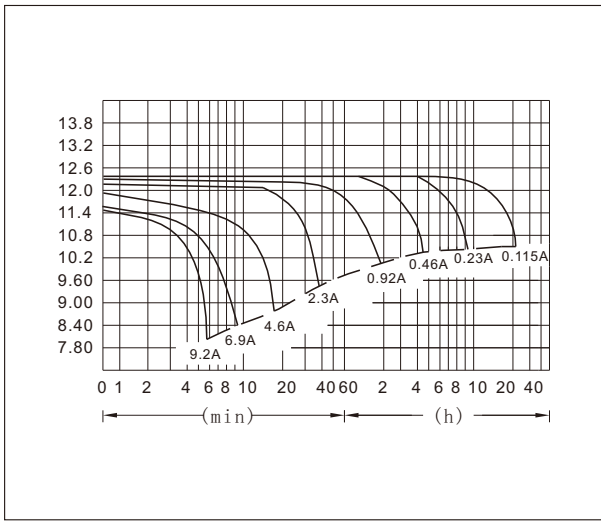
Terminal Type (mm)



Characteristics

| | | |
|--|------------------------------------|---|
| Capacity 25°C(77°F) | 20 hour rate(0.115 A) | 2.30 AH |
| | 10 hour rate(0.21 A) | 2.10 AH |
| | 5 hour rate(0.39 A) | 1.95 AH |
| | 1 hour rate(1.38 A) | 1.38 AH |
| | 1.5 hour discharge to 10.5V | 0.92 A |
| Internal Resistance | Full charged Battery at 25°C(77°F) | 130 m Ω |
| Capacity affected by Temperature (20hour rate) | 40°C(104°F) | 102% |
| | 25°C(77°F) | 100% |
| | 0°C(32°F) | 85% |
| | -15°C(5°F) | 65% |
| Self-Discharge at 25°C(77°F) | Capacity after 3 month storage | 91% |
| | Capacity after 6 month storage | 82% |
| | Capacity after 12 month storage | 64% |
| Terminal | | T23 |
| Charge (constant Voltage) | Cycle | Initial Charging Current less than 0.92 A Voltage 14.10-14.40V |
| | Float | Voltage 13.50-13.80V |

Discharge Curves 25°C(77°F)



Constant Current(Amp) and Constant Power(Watt) Discharge Table at 25°C(77°F)

| Time | | 5min | 10min | 15min | 30min | 1h | 2h | 3h | 4h | 5h | 8h | 10h | 20h |
|--------|---|------|-------|-------|-------|------|------|------|------|------|------|------|-------|
| 9.60V | A | 9.20 | 6.21 | 4.37 | 2.65 | 1.38 | 0.81 | 0.59 | 0.48 | 0.40 | 0.27 | 0.22 | 0.120 |
| | W | 97.7 | 65.9 | 46.4 | 28.1 | 15.9 | 9.3 | 6.85 | 5.50 | 4.67 | 3.08 | 2.52 | 1.38 |
| 10.20V | A | 8.28 | 5.65 | 3.93 | 2.51 | 1.30 | 0.77 | 0.58 | 0.46 | 0.40 | 0.26 | 0.21 | 0.120 |
| | W | 91.9 | 62.7 | 43.6 | 27.9 | 15.0 | 8.9 | 6.66 | 5.33 | 4.58 | 3.03 | 2.47 | 1.34 |
| 10.50V | A | 7.83 | 5.38 | 3.68 | 2.43 | 1.25 | 0.76 | 0.57 | 0.44 | 0.39 | 0.26 | 0.21 | 0.115 |
| | W | 88.7 | 61.0 | 41.7 | 27.6 | 14.5 | 8.8 | 6.55 | 5.06 | 4.55 | 3.00 | 2.45 | 1.33 |
| 10.80V | A | 7.28 | 5.10 | 3.45 | 2.37 | 1.21 | 0.74 | 0.56 | 0.43 | 0.37 | 0.25 | 0.21 | 0.113 |
| | W | 84.7 | 59.2 | 40.2 | 27.5 | 14.1 | 8.6 | 6.47 | 5.00 | 4.35 | 2.88 | 2.40 | 1.30 |
| 11.10V | A | 6.90 | 4.83 | 3.22 | 2.30 | 1.17 | 0.72 | 0.53 | 0.42 | 0.36 | 0.25 | 0.20 | 0.111 |
| | W | 82.1 | 57.4 | 38.2 | 27.3 | 13.9 | 8.5 | 6.28 | 4.98 | 4.26 | 2.78 | 2.35 | 1.29 |