

# Battery Grip

For NIKON D60/D40/D40X

**EN** ND40N—Battery Grip Instruction For Usage

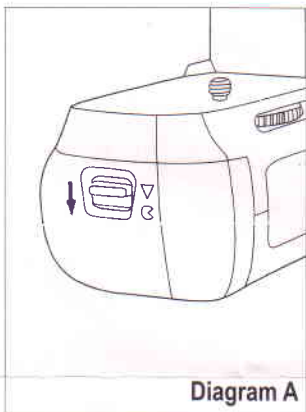
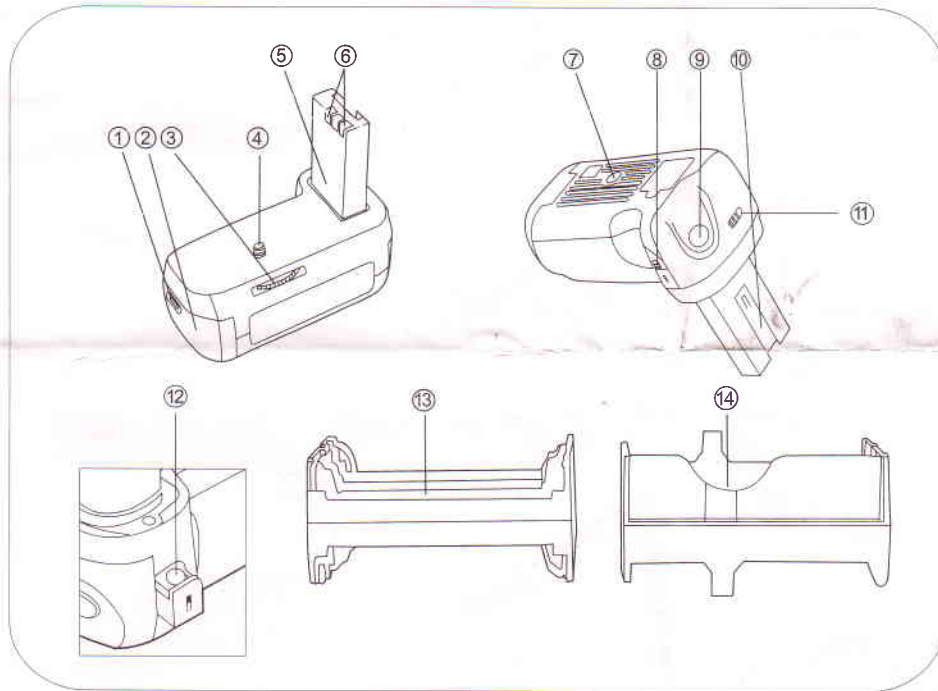


Diagram A

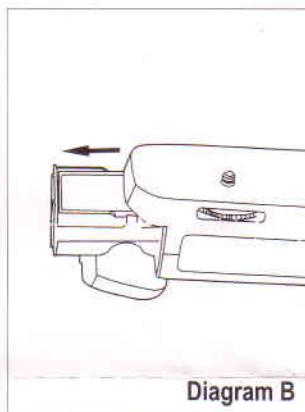


Diagram B

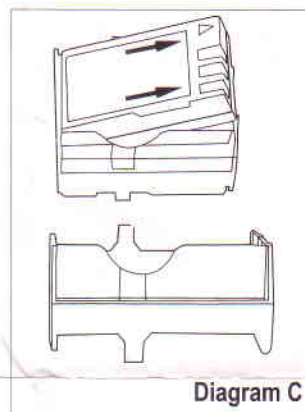
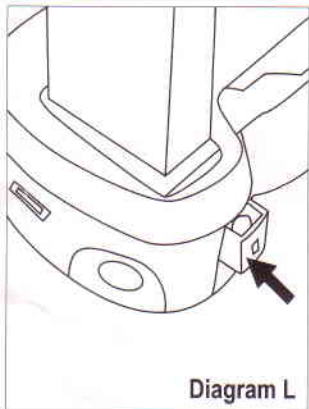
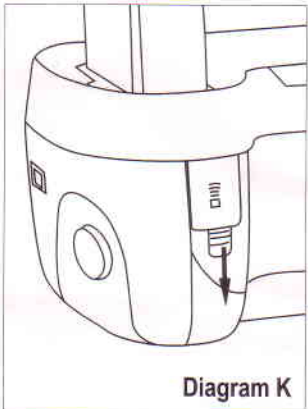
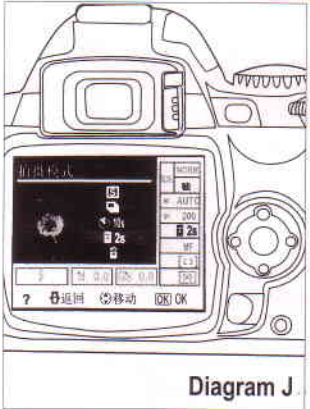
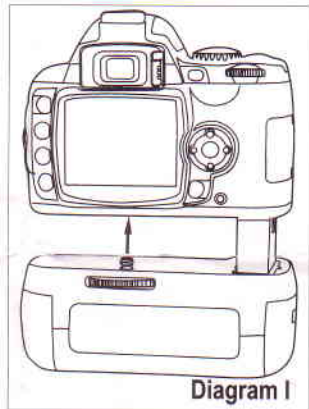
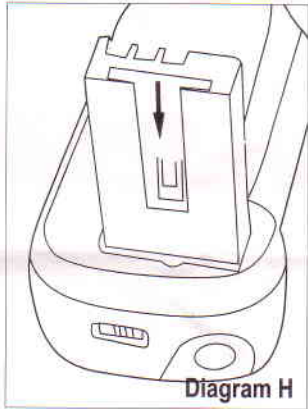
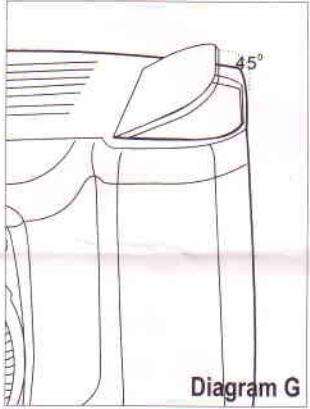
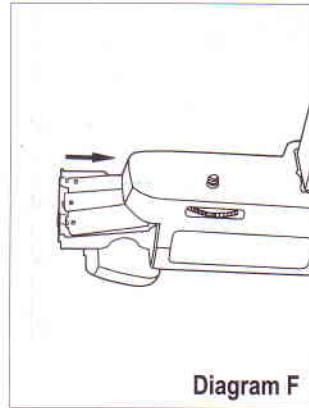
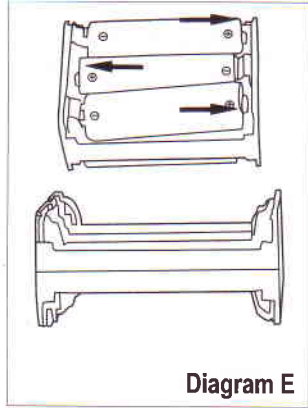
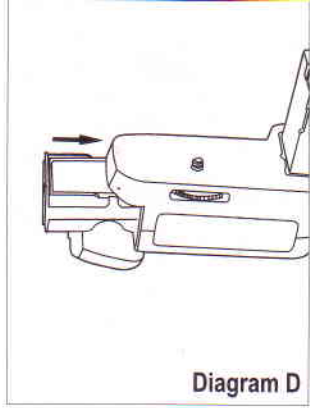


Diagram C



Thank you for purchase of ND40N standard battery grip for use with Nikon D40/D40X/D60 Single-lens reflex digital camera. The ND40N grip takes one or two EN-EL9 batteries or six AA batteries, especially suitable for shooting in a large quantity or low temperatures environment. It also includes a vertical-grip shutter-release button to enable shooting in the same fashion as a horizontal grip.

### ▲ Parts Name

1, Battery chamber release latch	8, Vertical-grip switch
2, Battery chamber	9, Vertical-grip shutter button
3, Attach/detach knob	10, Camera battery chamber cover storage area
4, Attachment screw	11, Control lock
5, Grip electrical pole	12, Vertical grip shutter parts
6, Electrical contact	13, AA battery magazine
7, Tripod socket	14, EN-EL9 battery magazine

### ▲ Installing Battery

Use the EN-EL9 Battery Packs

- 1, Press down the battery magazine lock knob and open the battery compartment cover, and then pull out the EN-EL9 battery magazine or the AA battery magazine (Diagram A and Diagram B)
- 2, Install two EN-EL9 battery packs as shown by the indicators on EN-EL9 battery magazine (Be sure that the contactor of EN-EL9 battery is upturned), and then insert them to the battery magazine along the contactor position. Be sure that the contactor of EN-EL9 battery is at the gap of the magazine. Insert the EN-EL9 battery magazine into the battery grip and close the battery compartment cover and be sure that the cover is locked well before using. (Diagram C and Diagram D) Lithium battery packs are installed.

Note: The battery grip can also use only one EN-EL9 battery.

- If only one EN-EL9 battery is used, it may be inserted in either the right or left sides.
- If two battery packs are inserted, power is supplied simultaneously by both battery packs.
- Two battery packs with different charging levels can be inserted and used without any problems.

Use AA Batteries

- 1, Insert six NI-MH (AA) batteries into AA battery magazine with the direction shown [ + ] on the inside Battery magazine. (Diagram E)
- 2, Install the AA battery magazine into the battery chamber, then close the battery chamber cover and be sure battery cover is on the locked position (Diagram F)
- When AA batteries are used, fewer images can be shot. Therefore, usage of AA size batteries is recommended only for emergencies.
- If using throwaway AA size batteries, the camera may not function when used in temperatures below 20°C or for certain battery brands and storage conditions. Also, insert six new batteries that are the same brand. Do not use old and new batteries together.

### ▲ Installing Battery Grip

- 1, Be sure that the camera is on OFF, slide the camera's chamber cover in 45° and move it up, and then remove the batteries from the camera chamber. Please keep the battery chamber cover up to avoid batteries falling off. (Diagram G)
- 2, Camera's battery chamber cover can be stored in battery grip's camera battery chamber cover storage area as illustrated. (Diagram H)
- 3, Insert the battery grip electrical contacts to camera's battery chamber and align the attachment screw with the camera's tripod socket, then turn the attach/detach knob to tighten securely. (Diagram I) if there is a space left, please re-attach the battery grip.
- 4, The whole install process finished, Turn on the camera, and make sure that the camera's LCD displays the figures.
- 5, To dispatch the battery grip, reverse the above steps.

### ▲ Set and use the Vertical-grip shutter

- 1, Turn the Vertical-grip switch to "ON". Press "M" button two times to enter Menu. Set the camera to Shooting mode by pressing multi-selector and the press "OK" button (Diagram J) Set multi-selector button to "M", and press the Vertical-grip switch. (Diagram K). The Vertical-grip system pops up automatically. The Vertical-grip is available for work.
- 2, The Vertical-grip also works in "2S" state. Press "M" button two times to enter Menu. Set the camera to Shooting mode by pressing multi-selector and the press "OK" button. Set multi-selector button to "2S" and press the Vertical-grip switch. The Vertical-grip system pops up automatically. Then press the Vertical-grip shutter button, 2 seconds time-lapse and then the shutter will start. This is especially suitable for shooting scene and still life with tripod.
- This Vertical-grip is a procedure. After pressing and disentangling the Vertical-grip shutter button, camera focusing and shoot automatically. When shooting in horizontal position, camera should not in "M" or "2S" state.
- When shooting in horizontal position, push the Vertical-grip system back to prevent damage accidentally. There is a cracking when pushing back (Diagram L)

## ▲ Using the Battery Grip

The common control function:

- Turn the vertical-grip operation ON/OFF switch to ON(Diagram 11)  
The buttons and dials on the battery grip function in the same way as those on the camera
- When shooting in the horizontal-grip position, it is recommended that you turn the vertical-grip operation ON/OFF switch to OFF so that you do not accidentally use the buttons or dials on the battery grip.

## ▲ Caution

1. The Battery Grip is not waterproof.
2. Never attempt to disassemble or repair the product by yourself. Any malfunction or accident resulting from such action is not covered by the warranty.
3. Make sure that the camera is on OFF when attach the battery grip.
4. Batteries must be in accordance with the directions as shown[+][-]on the inside battery magazine when inserting.
5. When replacing batteries, be sure to replace all batteries with new batteries of the same brand and never mix old and new batteries simultaneously, failure to observe this precaution could result in shorten the battery life or bad connection.
6. When the camera is not to be used for an extended period, remove the batteries from the battery grip.

## ▲ Do not short-circuit the battery grip with batteries installed

Do not carry or store the battery grip with batteries installed together with metallic objects. If the battery grip's electrical contacts touch with the conductive objects (like metallic plate, keys etc.,) short will be caused in the "+ -" pole of battery grip.

## ▲ Using the camera in low temperatures

Batteries weaken in low temperatures, which may cause malfunctions. To avoid this, it is recommended to carry fresh batteries. Alternating batteries regularly will keep them warm and help ensure smooth operation. Storing the camera in a warm place while it is not in use is also recommended. By low-temperature the number of the film shooting decrease and batteries weakened can recover when returned to normal temperature. However, avoid drastic changes in temperature, because this may cause unstable voltage.

## ▲ Battery state

Check the batteries capacity provide on the camera's LCD panel.

## ▲ Battery Life

	Temperature	Normal Temperature 20°C	Low Temperature 0°C
Shooting condition	Two EN-EL9 battery NO flash use	Appro. 4000	Appro. 2200
	Two EN-EL9 battery 50% flash use	Appro. 2200	Appro. 1600
	AA NI-MH 2300MA/H battery No flash use	Appro. 4000	Appro. 800
	AA NI-MH 2300MA/H battery 50% flash use	Appro. 2200	Appro. 400

The entire data are based on the standard test of the manufacture. We apologize if there are any mistakes or misprints in the instruction. Design and specification are subject to change without notice.