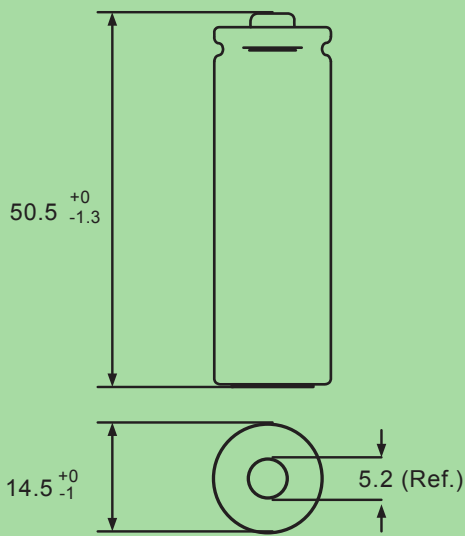




Model No.: **GP210AAHCB**



Unit : mm

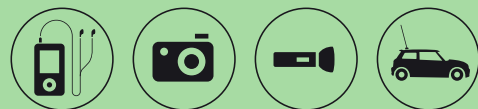
Benefits :

- Most powerful rechargeable battery
- Rechargeable up to 1500 times - GP internal testing IEC 61951-2(7.5.1.3)
- Guaranteed for 6 years or 1500 recharges, whichever comes first
- Ready to use, precharged
- Holds power up to 70% after 5 years once fully charged
- Recharged by GP Charger for the best performance
- Cost saving and environmentally friendly

Specifications :

- GP ReCyko+ Rechargeable battery
- Nickel Metal Hydride chemistry
- AA size
- Rated capacity 2000mAh
- Nominal voltage 1.2V
- Gross weight -30g

Applications best for :



Battery handling :

- Batteries should be charged prior to use.
- Remove batteries from the electrical device if the device is not going to be used for a long period of time.
- Do not mix new batteries in use with semi-used batteries.
- In order to maintain satisfactory cell/battery performance when being stored under an extensive period of time, fully charging the cell/battery every 6-9 months is highly recommended.

