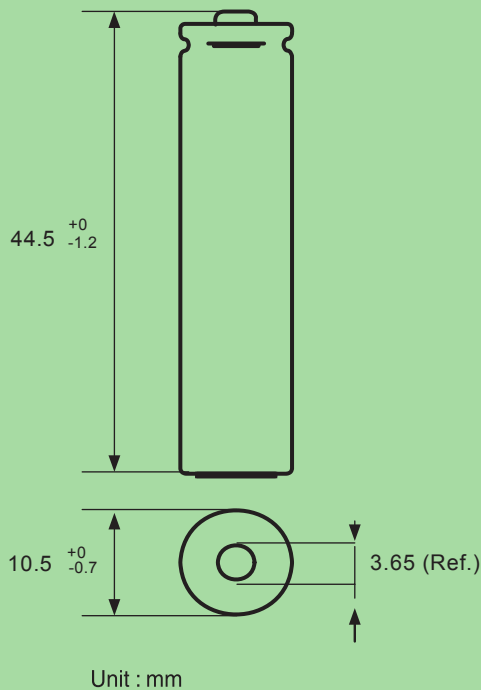




Model No.: **GP100AAAHC**



**Benefits :**

- Most powerful rechargeable batteries  
Super high capacity
- Guaranteed for 6 years or 300 recharges, whichever comes first
- Ready to use, precharged
- Holds power up to 70% after 1 year once fully charged
- Recharged by GP Charger for the best performance
- Cost saving and environmentally friendly

**Specifications :**

- GP ReCyko<sup>+</sup> Rechargeable battery
- Nickel Metal Hydride chemistry
- AAA size
- Rated capacity 950mAh
- Nominal voltage 1.2V
- Gross weight -15.2g

**Applications best for :**



**Battery handling :**

- Batteries should be charged prior to use.
- Remove batteries from the electrical device if the device is not going to be used for a long period of time.
- Do not mix new batteries in use with semi-used batteries.
- In order to maintain satisfactory cell/battery performance when being stored under an extensive period of time, fully charging the cell/battery every 6-9 months is highly recommended.

